

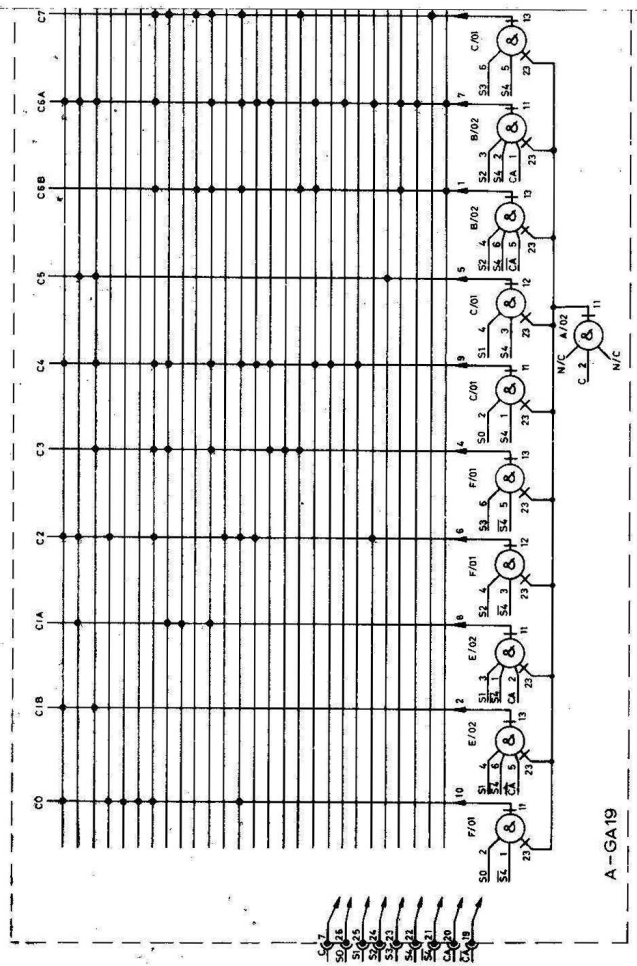
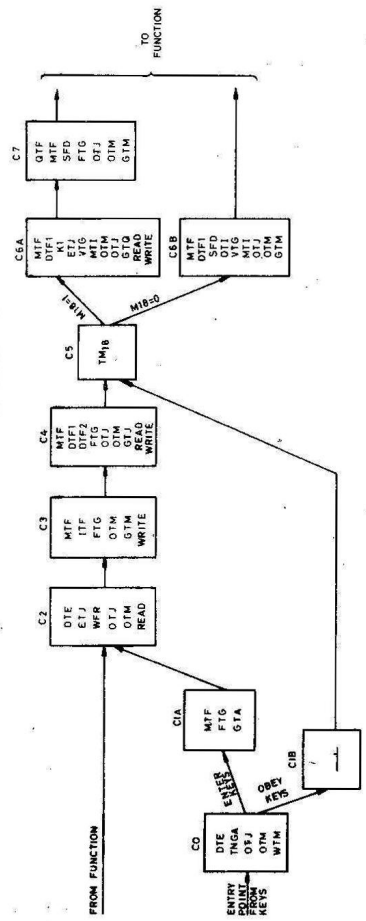
ET1 SETS UP APPROPRIATE SCR OR B REGISTER ADDRESS IN J REGISTER
AS FOLLOWS

| PRIORITY LEVEL | E1 | E2 | J3 | J2 | J1 |
|----------------|----|----|----|----|----|
| (HIGHEST) | 0 | 0 | 0 | 0 | 0 |
| 2 | 1 | 0 | 0 | 0 | 1 |
| 3 | 0 | 1 | 1 | 0 | 0 |
| (LOWEST) | 1 | 1 | 1 | 1 | 0 |

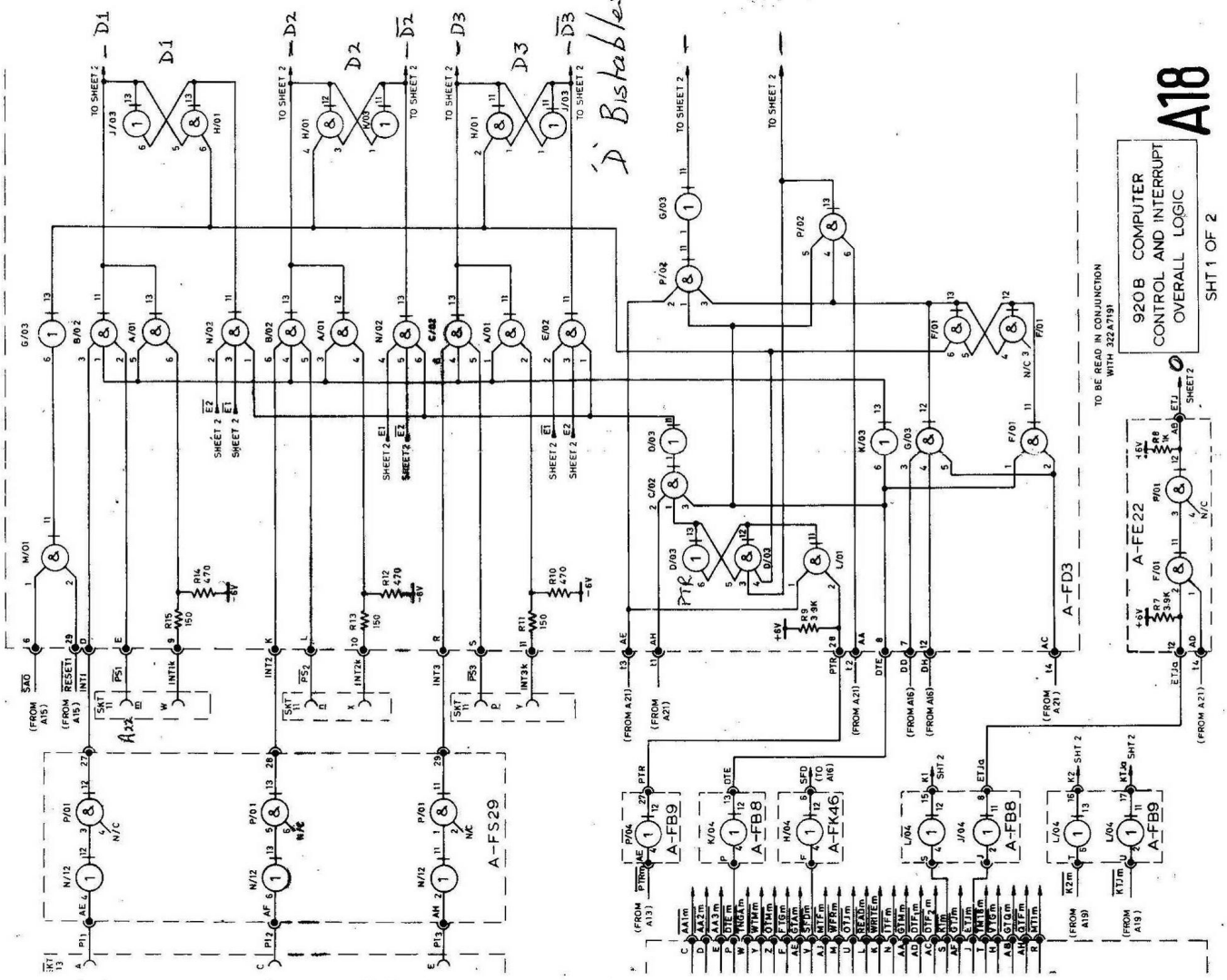
K1J SETS UP J REGISTER FOR MULTIPLICATION
AND DIVISION AS FOLLOWS

| FUNCTION | J5 | J2 | J1 |
|----------|----|----|----|
| 12 | 1 | 0 | 1 |
| 13 | 1 | 1 | 0 |

| J REG SET UP BY | ET1 FROM K1J WHEN K2=1 | ET2 | ET3 | ET4 FROM K1=1 |
|-----------------|------------------------|-----|-----|---------------|
| K1J | 1 | 1 | 0 | 0 |



A-GA19



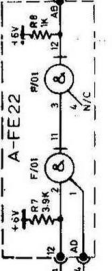
Bistables

920B COMPUTER
CONTROL AND INTERRUPT
OVERALL LOGIC

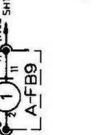
A18

SHT 1 OF 2

TO BE READ IN CONJUNCTION
WITH 32A7191



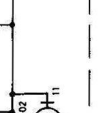
A-FE22



A-FD3



A-FB9



A-FB8



A-FK45



A-FB9