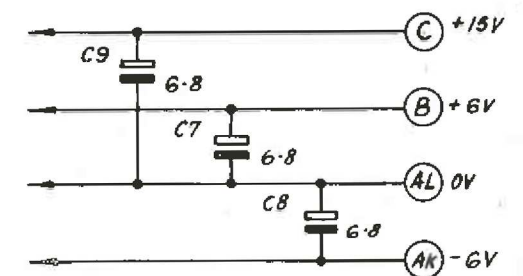
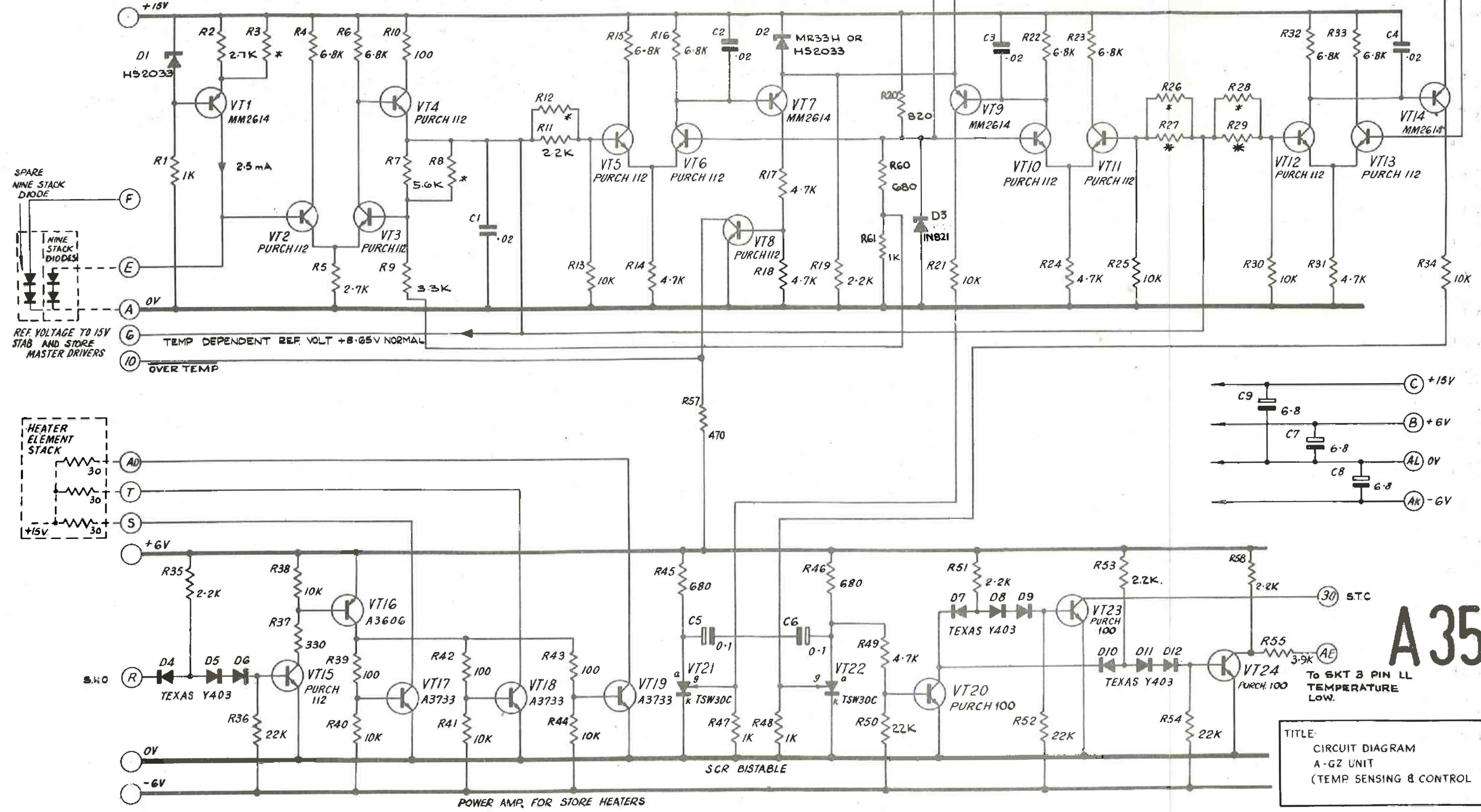


R	R1	R2	R3	R4	R5	R6	R10	R11	R15	R16	R17	R19	R20	R21	R22	R23	R26	R28	R32	R33	R
C																					
MISC.	D1	VT1	VT2	VT3	VT4				VT5	VT6	VT8	D2	D3	VT9	VT10	VT11	D11	D12	VT12	VT13	MISC.

CONSTANT CURRENT GENERATOR REFERENCE VOLTAGE GENERATOR OVERTEMPERATURE ABOVE 70°C. REF. VOLT + 7.2V RESTART HEATER OFF ABOVE -5°C. REF. VOLT + 9.6V TO COLD BELOW -15°C. REF. VOLT + 9.9V



A35

TITLE: CIRCUIT DIAGRAM A-GZ UNIT (TEMP SENSING & CONTROL)