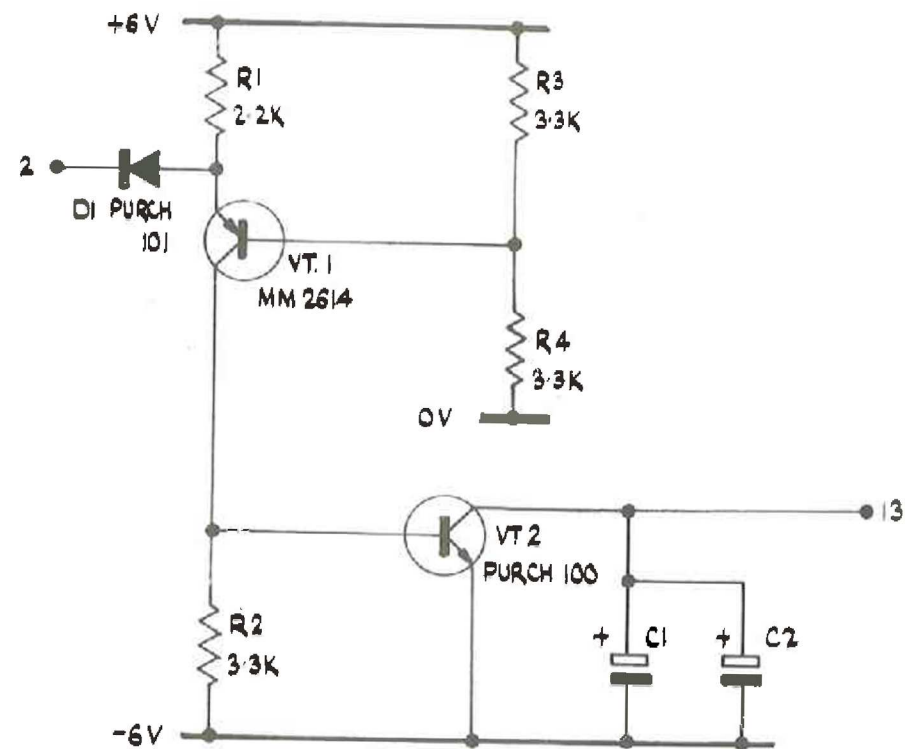


ONLY USED PRECEEDING L.S.A.  
19. OVERALL DELAY  $\approx 10 \text{ ms}/\mu\text{F}$   
WHERE  $\mu\text{F}$  IS CAPACITANCE OF  
 $C_1 + C_2$



ELEMENT	C1	C2
LSA 20	4.7 $\mu\text{F}$	4.7 $\mu\text{F}$
LSA 24	22 $\mu\text{F}$	1.0 $\mu\text{F}$
LSA 25	22 $\mu\text{F}$	0.47 $\mu\text{F}$



DRAWN C.A.C.	ISSUE No. 1 2 3
CHECKED CS 456	A.R. No. 1374 1505 1997
APPROVED [Signature]	DATE 26-4-66 29-6-66 30-3-67
DATE 17-5-66	INITIALS C.A.C. R.W.C. J.S.

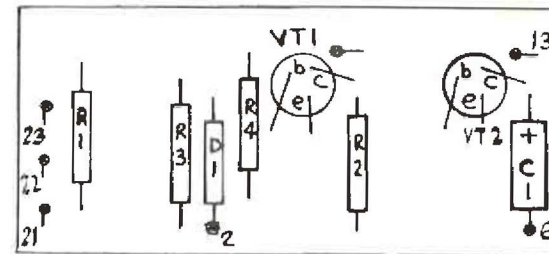
ELLIOTT BROTHERS (LONDON) LTD.

L.S.A. 20, 24, 25.  
DELAY.

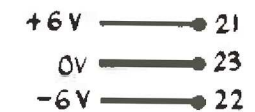
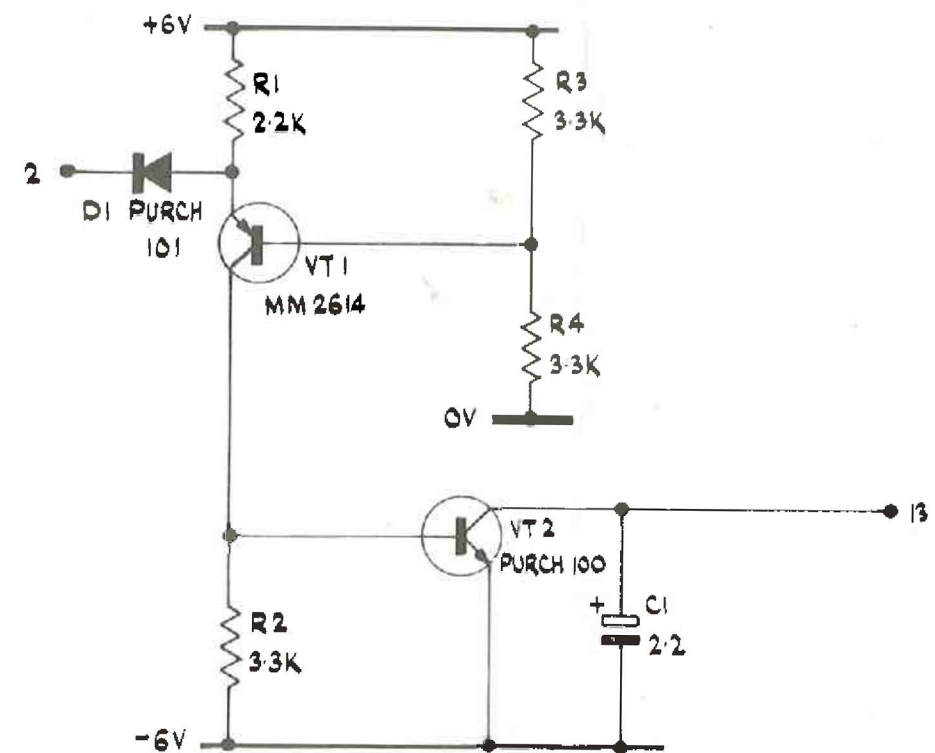
INSTRUCTION SHEET

322A7191

SHEET No 17  
OF



ONLY USED PRECEEDING L.S.A.  
19. OVERALL DELAY  $\approx 10 \text{ ms}/\mu\text{F}$   
WHERE  $\mu\text{F}$  IS CAPACITANCE OF  
 $C_1$



DRAWN C.A.C.	ISSUE No. 1 2 3
CHECKED CS 456	A.R. No. 1374 1505 1997
APPROVED [Signature]	DATE 26-4-66 29-6-66 26-4-67
DATE 17-5-66	INITIALS C.A.C. R.W.C. J.S.

ELLIOTT BROTHERS (LONDON) LTD.

L.S.A. 21.  
DELAY.

INSTRUCTION SHEET

322A7191

SHEET No 18  
OF