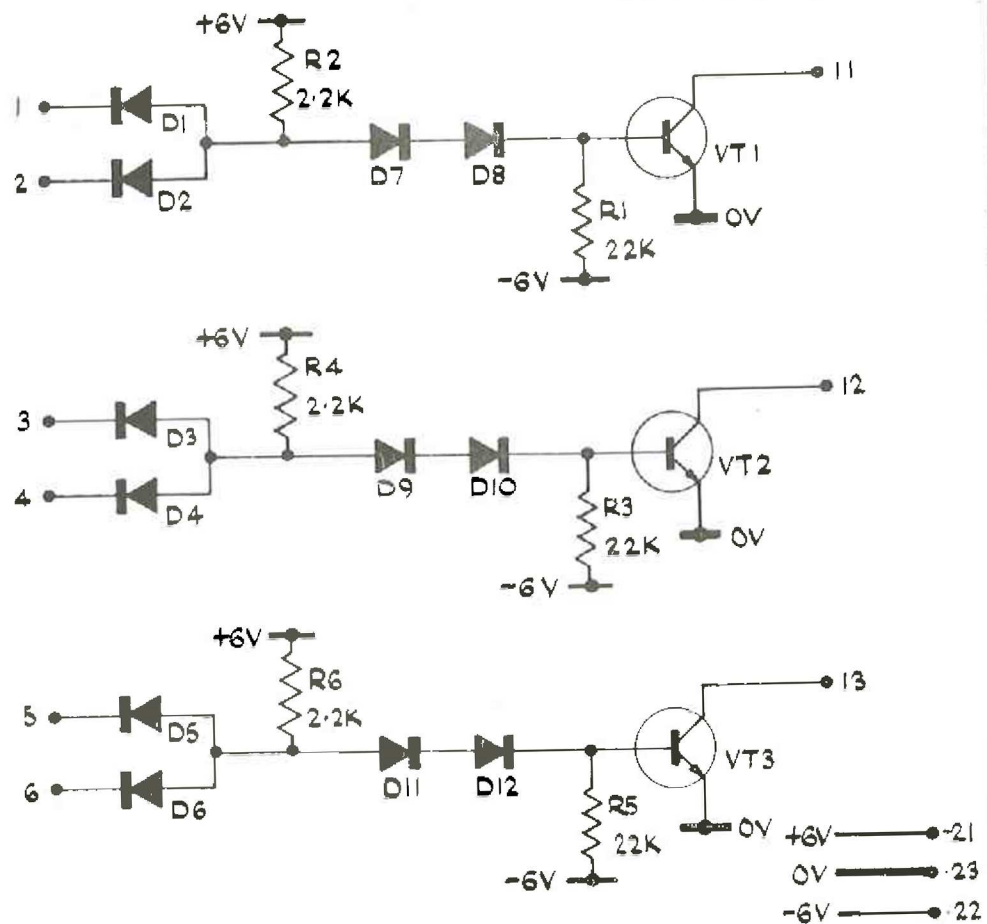


DIODES ARE PURCH 101
TRANSISTORS ARE PURCH 100



DRAWN C.A.C.	ISSUE No. 1 2 4
CHECKED CS 156	AR No. 1374 1997 2123
REVISED 1/7/67	DATE 26-4-66 20-4-67
DATE 1/7/67	INITIALS C.A.C. DMS

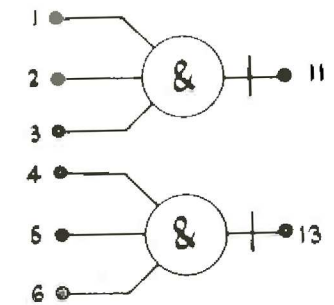
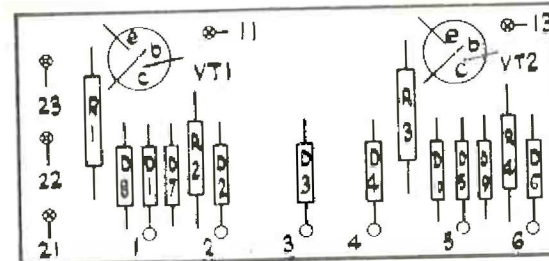
ELLIOTT BROTHERS (LONDON) LTD.

LSA 01
2-INPUT NAND GATE 920 B

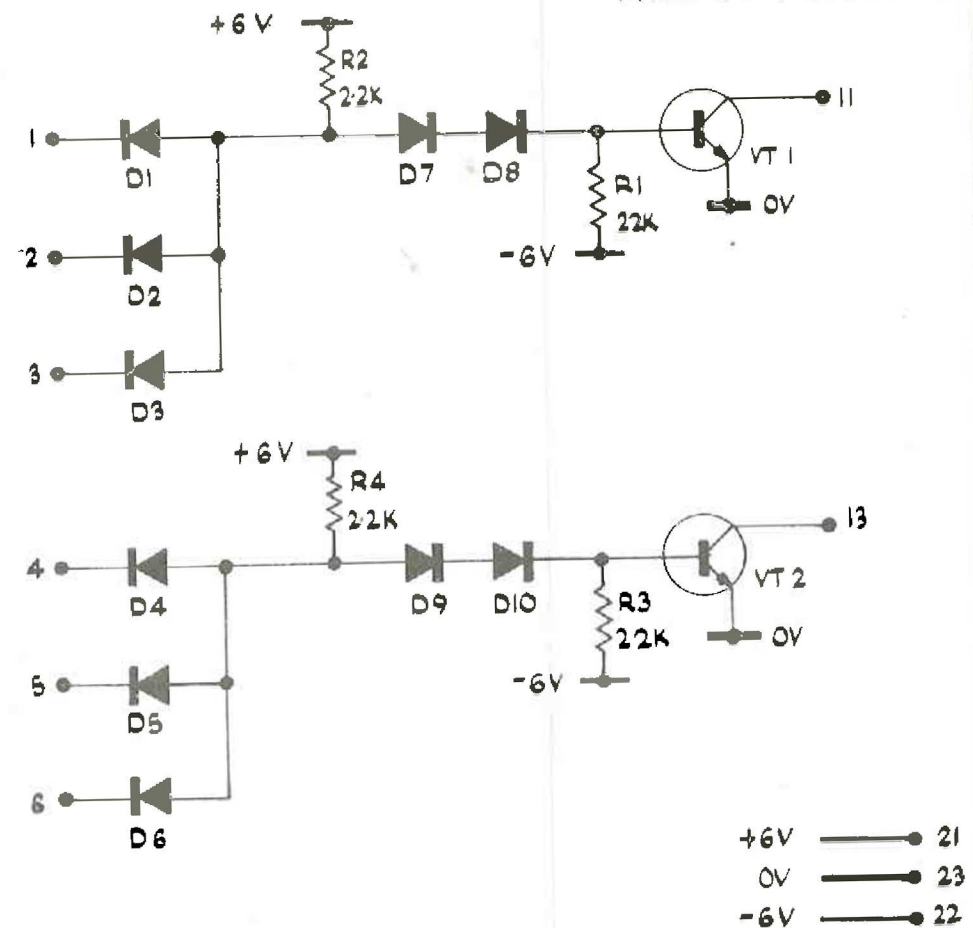
INSTRUCTION SHEET

322A7191

SHEET No 1
OF



DIODES ARE PURCH 101
TRANSISTORS ARE PURCH 100



DRAWN C.A.C.	ISSUE No. 1 2
CHECKED CS 156	AR No. 1374 1997
REVISED 1/7/67	DATE 26-4-66 20-4-67
DATE 1/7/67	INITIALS C.A.C. DMS

ELLIOTT BROTHERS (LONDON) LTD.

LSA 02
3-INPUT NAND GATE 920 B

INSTRUCTION SHEET

322A7191

SHEET No 2
OF