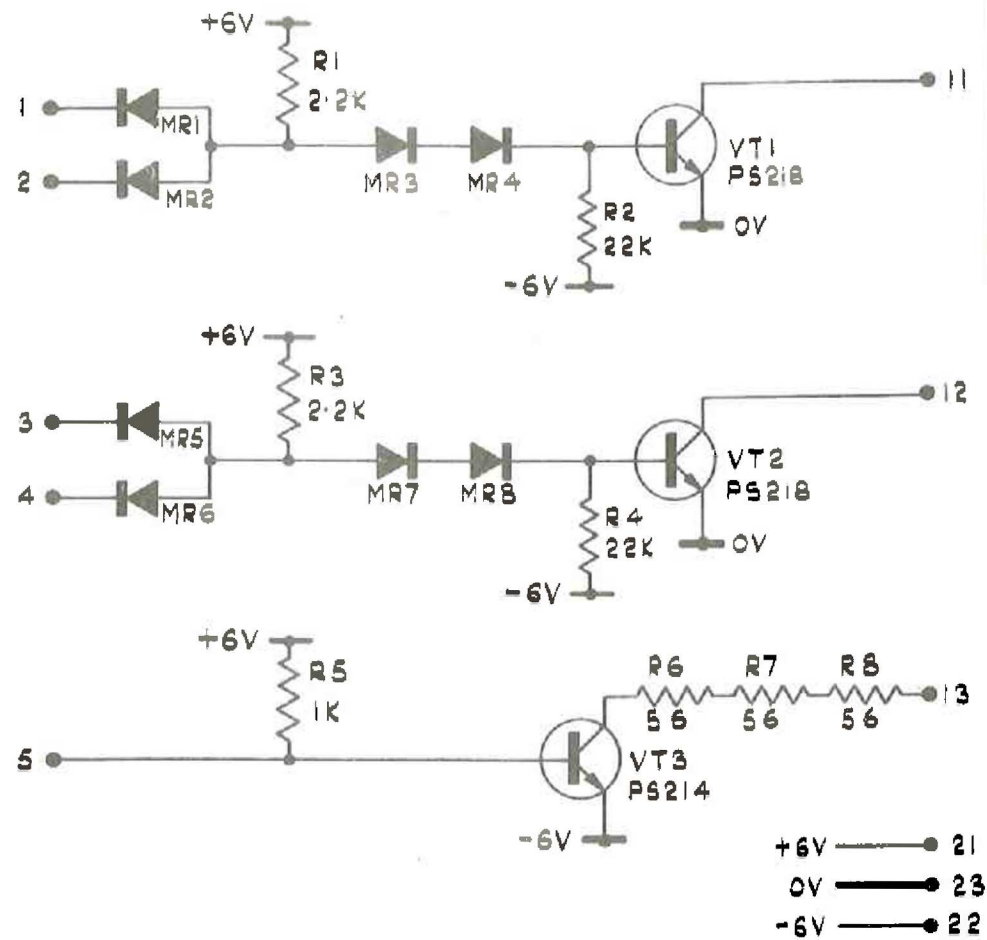


DIODES ARE PS226



DRAWN	W.V.P	ISSUE No.	2	3
CHECKED	CS.1133	AR No.	1997	2123
APPR'VED	SUB	DATE	20.2.67	
DATE	27.4.67	INITIALS	SUB	GL

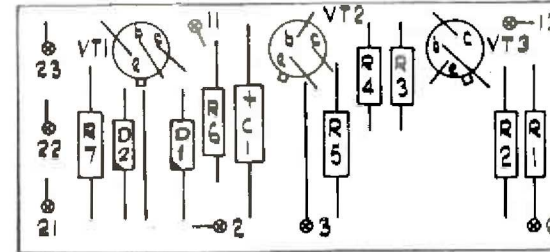
ELLIOTT BROTHERS (LONDON) LTD.

TITLE
LSA 26
DUAL 2-INPUT NAND GATE +
SINGLE LAMP DRIVER

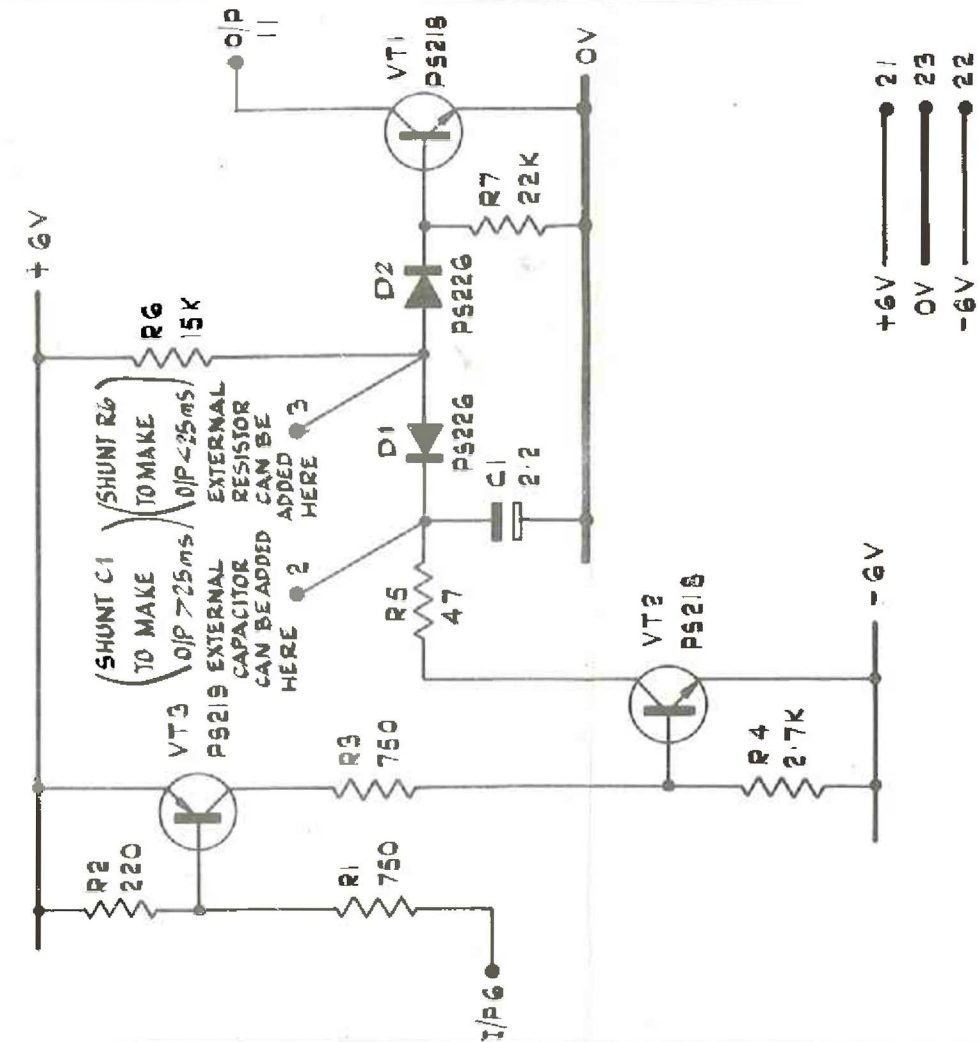
INSTRUCTION SHEET

322 A 7191

SHEET No 21
OF



NOMINAL O/P 25ms,
RANGE 1ms - 5 SECS
TOLERANCE ± 30%



DRAWN	W.V.P	ISSUE No.	2	3
CHECKED	CS.1133	AR No.	1997	2123
APPR'VED	SUB	DATE	23.6.67	
DATE	27.4.67	INITIALS	SUB	GL

ELLIOTT BROTHERS (LONDON) LTD.

TITLE
LSA 27
REGENERABLE MONOSTABLE

INSTRUCTION SHEET

322 A 7191

SHEET No 22
OF