

DIODES ARE PURCH 101
TRANSISTORS ARE PURCH 100.



DRAWN	C.A.C.	ISSUE No.	1	2	3
CHKD	CS 466	A.R. No.	1374	1997	2123
APPR		DATE	26-4-66	30-3-67	
DATE	27-6-67	INITIALS	C.A.C.	SLK	GL

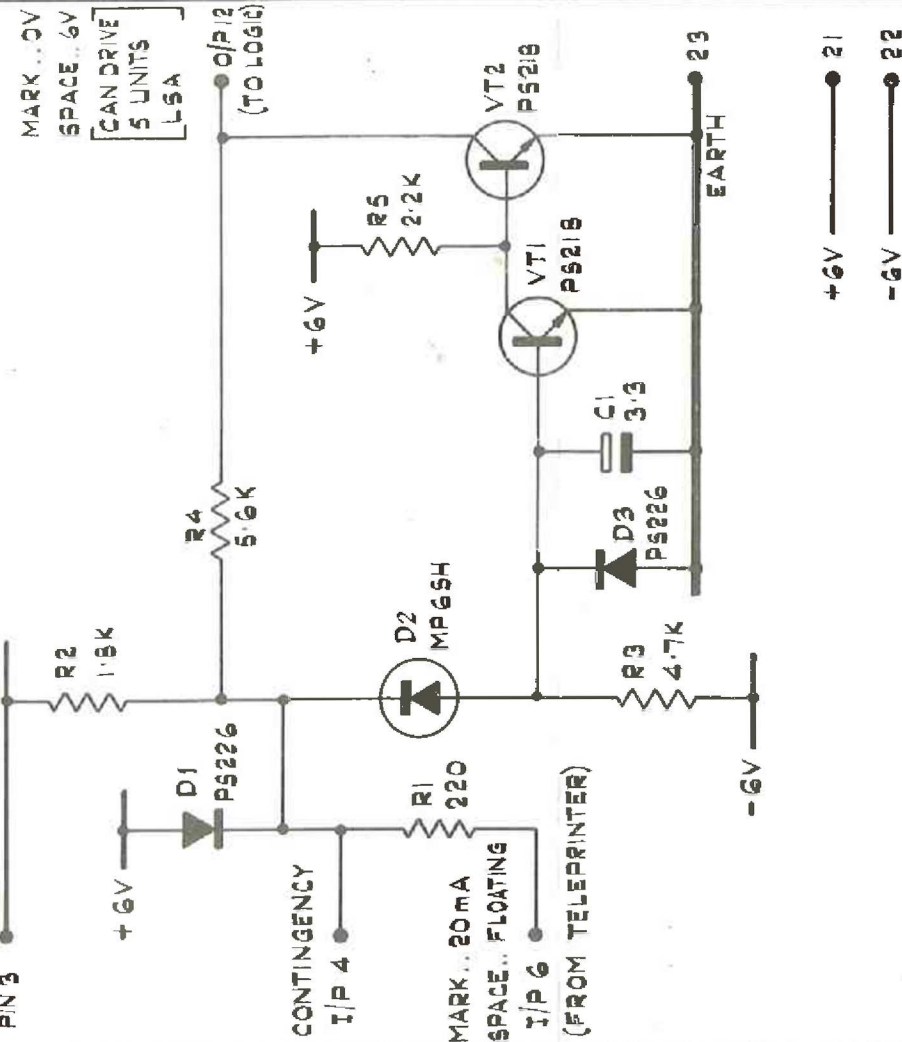
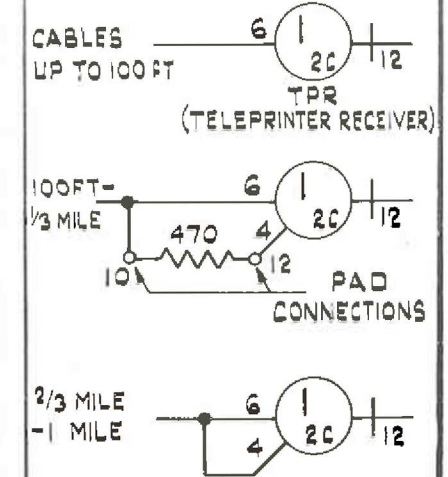
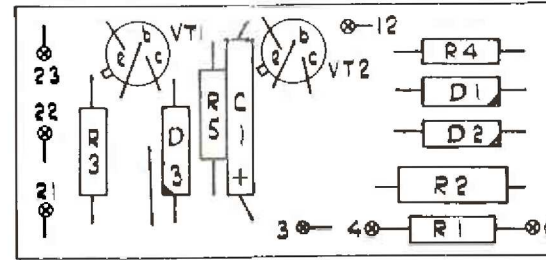
ELLIOTT BROTHERS (LONDON) LTD.

L.S.A. 28
2-INPUT NAND GATES.

INSTRUCTION SHEET

322A7191

SHEET No 23
OF



DRAWN	W.V.P.	ISSUE No.	2	3
CHECKED		A.R. No.	1997	2123
APPR		DATE	1-3-67	
DATE	27-6-67	INITIALS	SLK	GL

ELLIOTT BROTHERS (LONDON) LTD.

L.S.A. 29
TELEPRINTER RECEIVER

INSTRUCTION SHEET

322 A 7191

SHEET No 24
OF