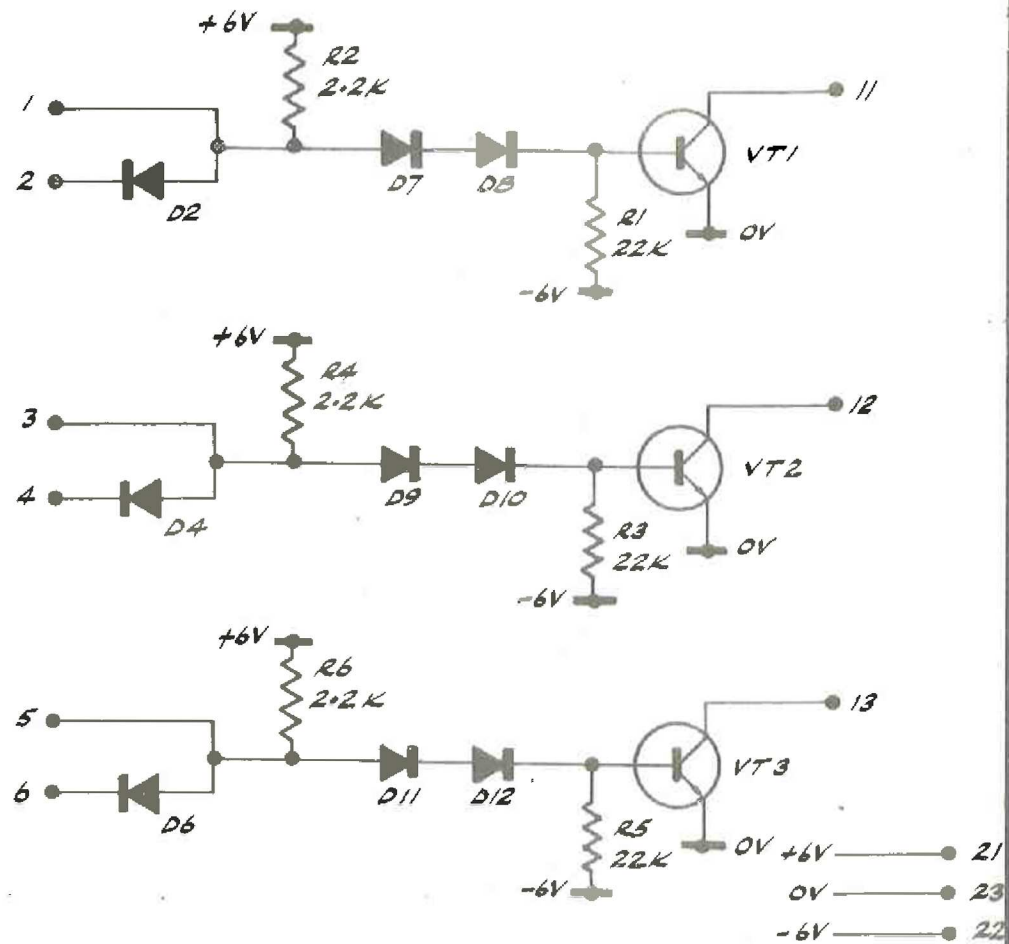


DIODES ARE PURCH-101
TRANSISTORS ARE PURCH-100



DRAWN	N.G.R.H.	ISSUE No.	1	2
CHECKED	S.S. P.S.	A.R. No.	2123	
APPROVED	S.H.S.	DATE	26.11.64	24.5.65
DATE	27.6.64	INITIALS	N.H.	GL

ELLIOTT BROTHERS (LONDON) LTD.

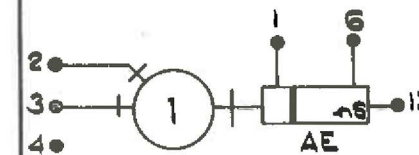
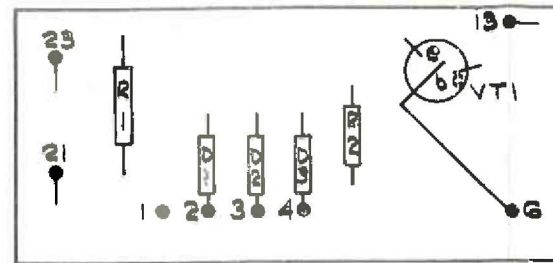
TITLE

LSA 44
2-INPUT NAND GATE 920B
(USED IN CONJUNCTION WITH LSA 23)

INSTRUCTION SHEET

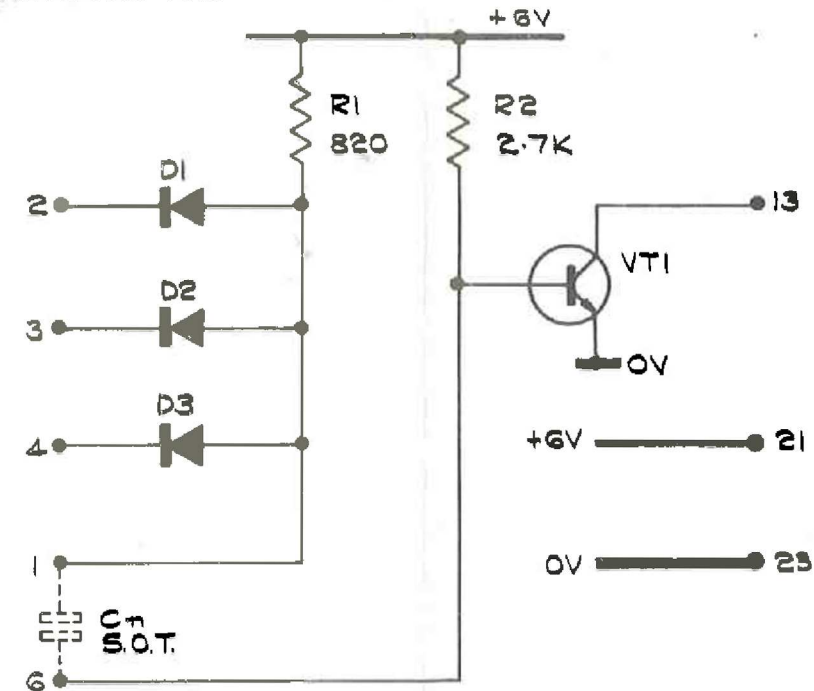
322A7191

SHEET No. 29
OF



PULSE WIDTH (Δ) C_n
WHERE C = CAPACITANCE
IN PF

DIODES ARE PURCH 101
TRANSISTORS ARE PURCH 100



NOTE: PULSE WIDTH (+VE) PULSE TRIGGERED BY ANY
INPUT REVERTING TO '0' PROVIDING ALL I/P'S HAVE
BEEN '1' FOR $> N/2$ SEC.
I/P 4 - 2.4V. REFERENCE VOLTAGE.
S.O.T. Cn WILL BE AN EXTERNAL.

DRAWN	M.P.C.	ISSUE No.	1	
CHECKED	CS 1133	A.R. No.	1997	
APPROVED	S.H.S.	DATE	28.2.67	
DATE	27.6.67	INITIALS	M.P.C.	

ELLIOTT BROTHERS (LONDON) LTD.

TITLE

LSA 129
SINGLE PULSE GENERATOR

INSTRUCTION SHEET

322A7191 SHEET No. 30
OF