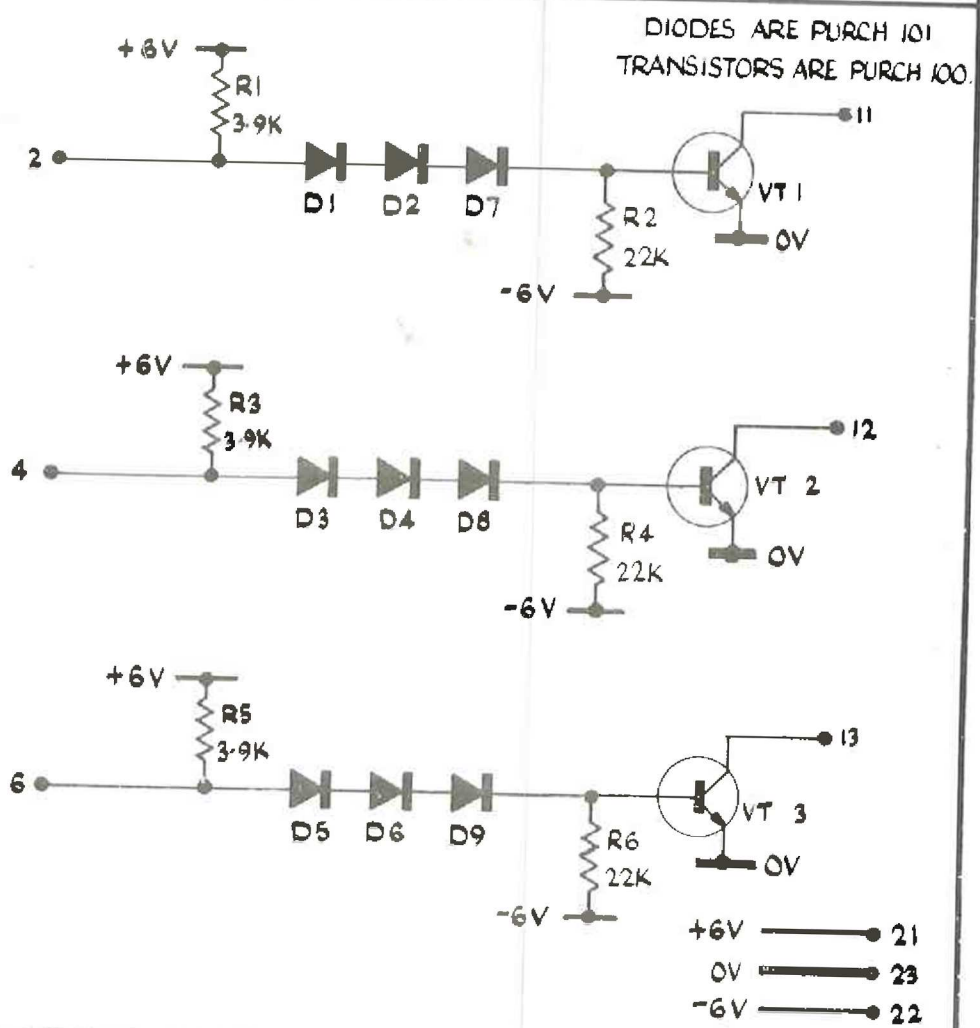
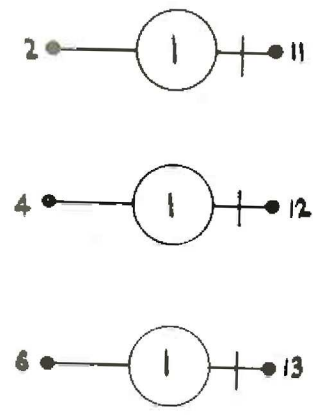
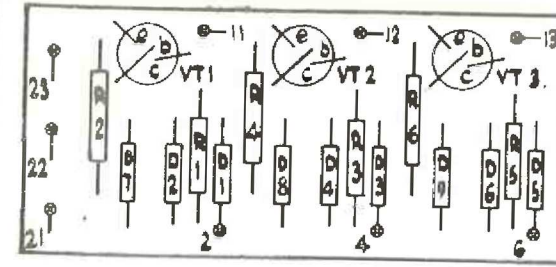


DRAWN	C.A.C.	ISSUE No.	1	2
CHECKED	CS 456	A.R. No.	1374	1997
APPROVED	[Signature]	DATE	26-4-66	16A 67
DATE	16/5/66	INITIALS	C.A.C.	SMS

ELLIOTT BROTHERS (LONDON) LTD.
TITLE L.S.A. 03 INSTRUCTION SHEET
4-INPUT NAND GATE + 2 INVERTERS 920B 322A7191 SHEET No 3 OF



DRAWN	C.A.C.	ISSUE No.	1	2
CHECKED	CS 456	A.R. No.	1374	1997
APPROVED	[Signature]	DATE	26-4-66	16A 67
DATE	16/5/66	INITIALS	C.A.C.	SMS

ELLIOTT BROTHERS (LONDON) LTD.
TITLE L.S.A. 04 INSTRUCTION SHEET
CONTROL MATRIX WAVEFORM AMPLIFIERS 920B 322A7191 SHEET No 4 OF