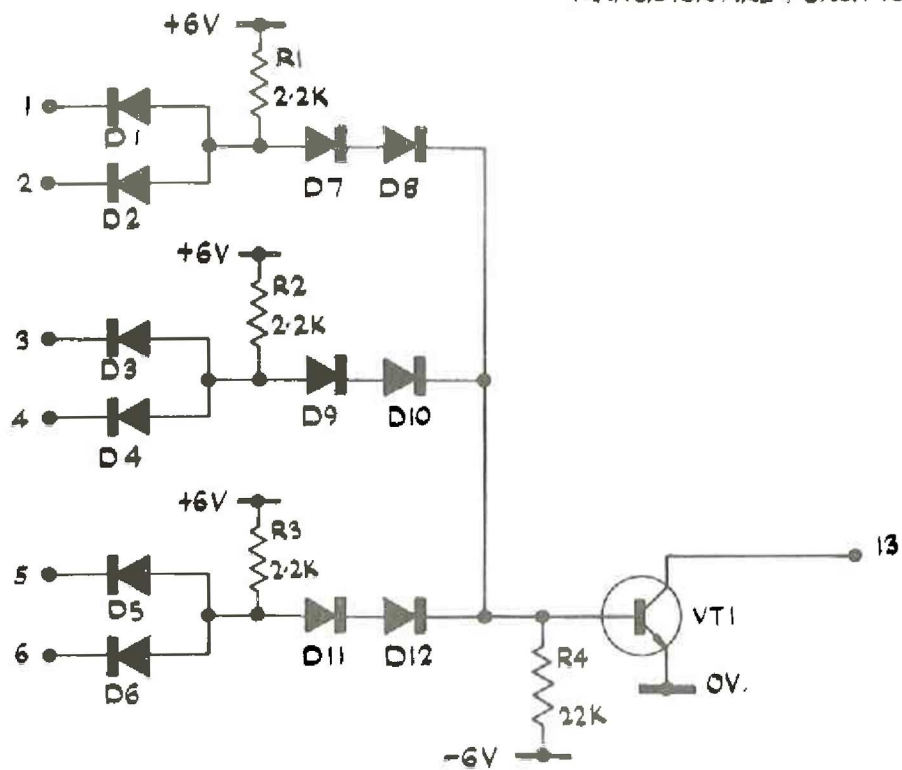


DIODES ARE PURCH 101
TRANSISTOR ARE PURCH 100.



+6V ——— 21
0V ——— 23
-6V ——— 22

DRAWN	CAC.	ISSUE No.	1	2
CHECKED	CS 456	A.R. No.	1374	1997
APPR VED	CS 456	DATE	26-4-66	26-4-67
DATE	16/5/68	INITIALS	C.A.C.	S.M.S.

ELLIOTT BROTHERS (LONDON) LTD.

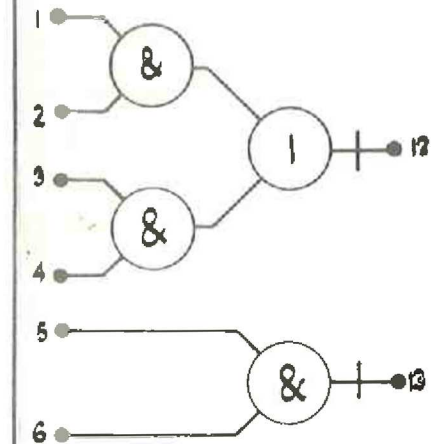
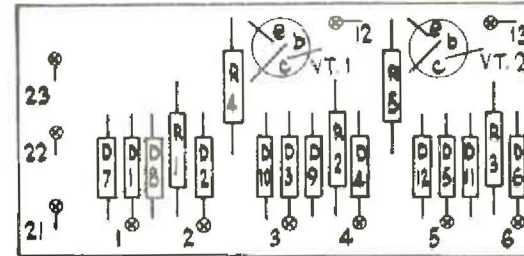
TITLE

L.S.A. 05
920B.

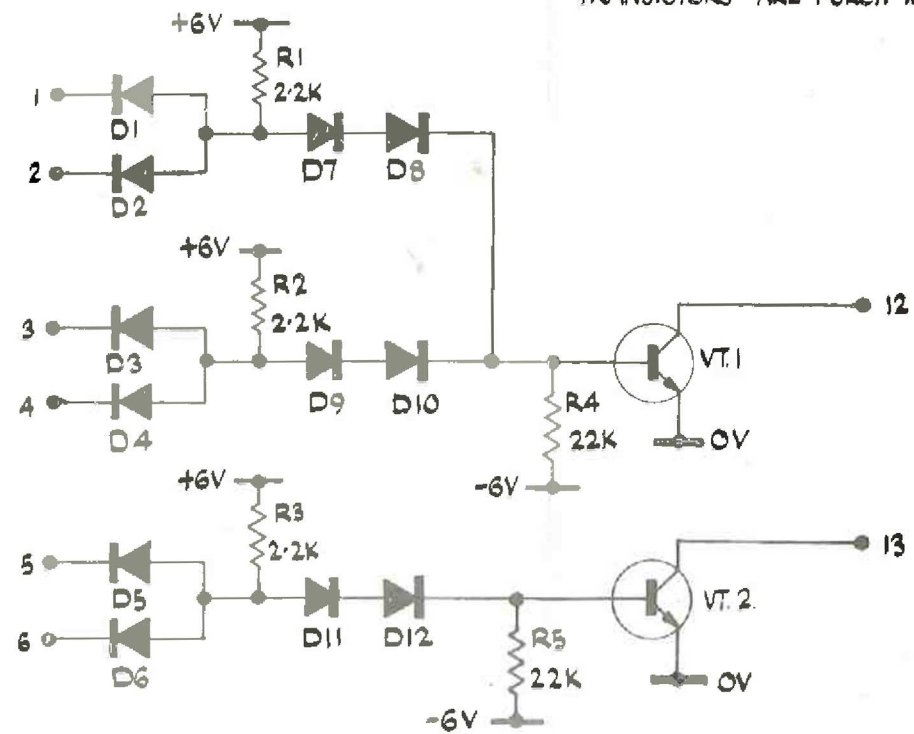
INSTRUCTION SHEET

322A 7191

SHEET No 5
OF



DIODES ARE PURCH 101.
TRANSISTORS ARE PURCH 100.



+6V ——— 21
0V ——— 23
-6V ——— 22

DRAWN	CAC.	ISSUE No.	1	2	4
CHECKED	CS 456	A.R. No.	1374	1997	2123
APPR VED	CS 456	DATE	26-4-66	26-4-67	21
DATE	16/5/68	INITIALS	C.A.C.	S.M.S.	GT.

ELLIOTT BROTHERS (LONDON) LTD.

TITLE

L.S.A. 06
920B

INSTRUCTION SHEET

322A 7191

SHEET No 6
OF