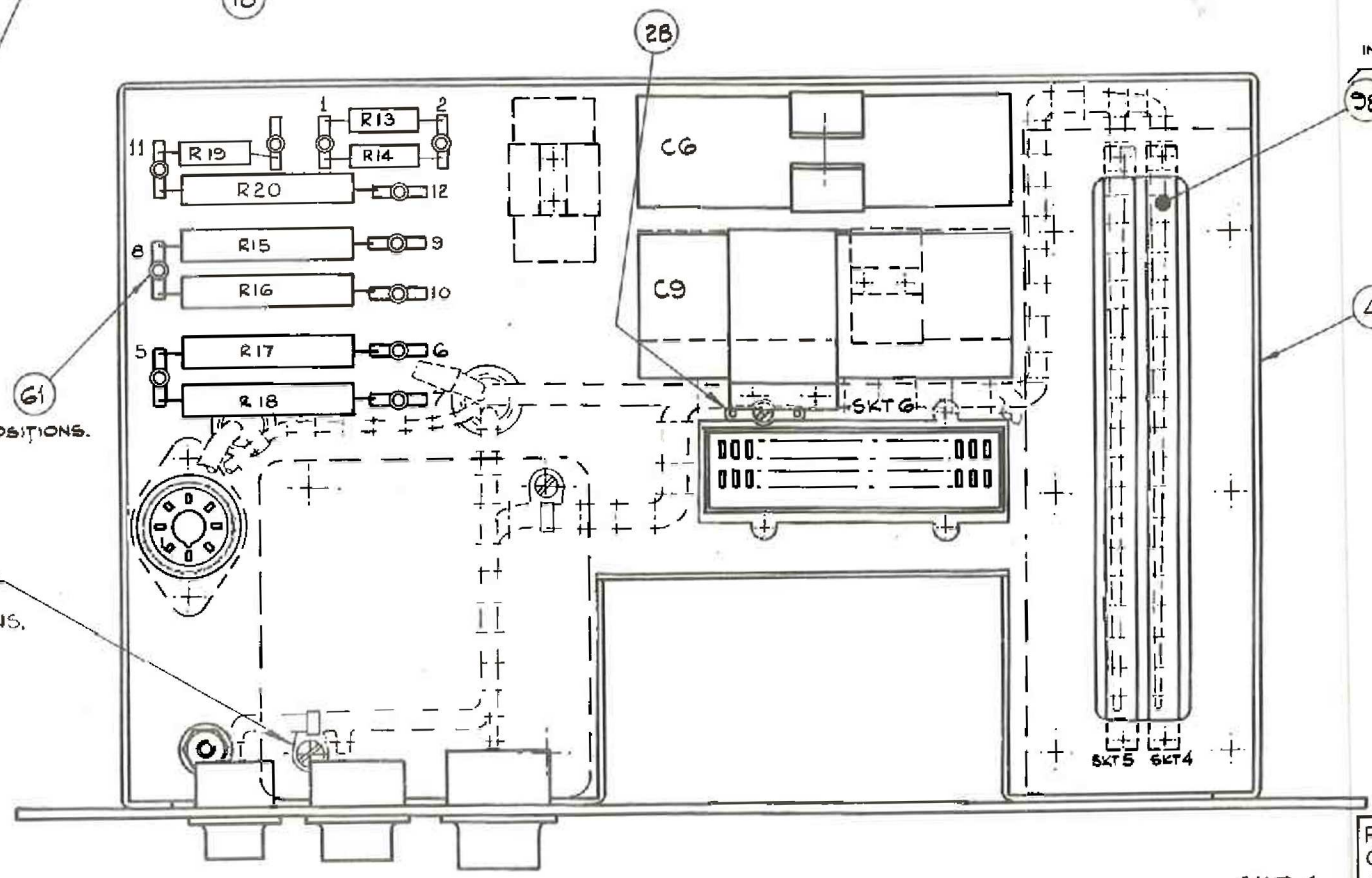
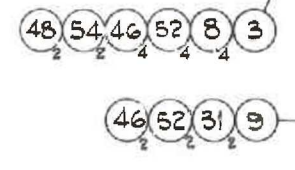
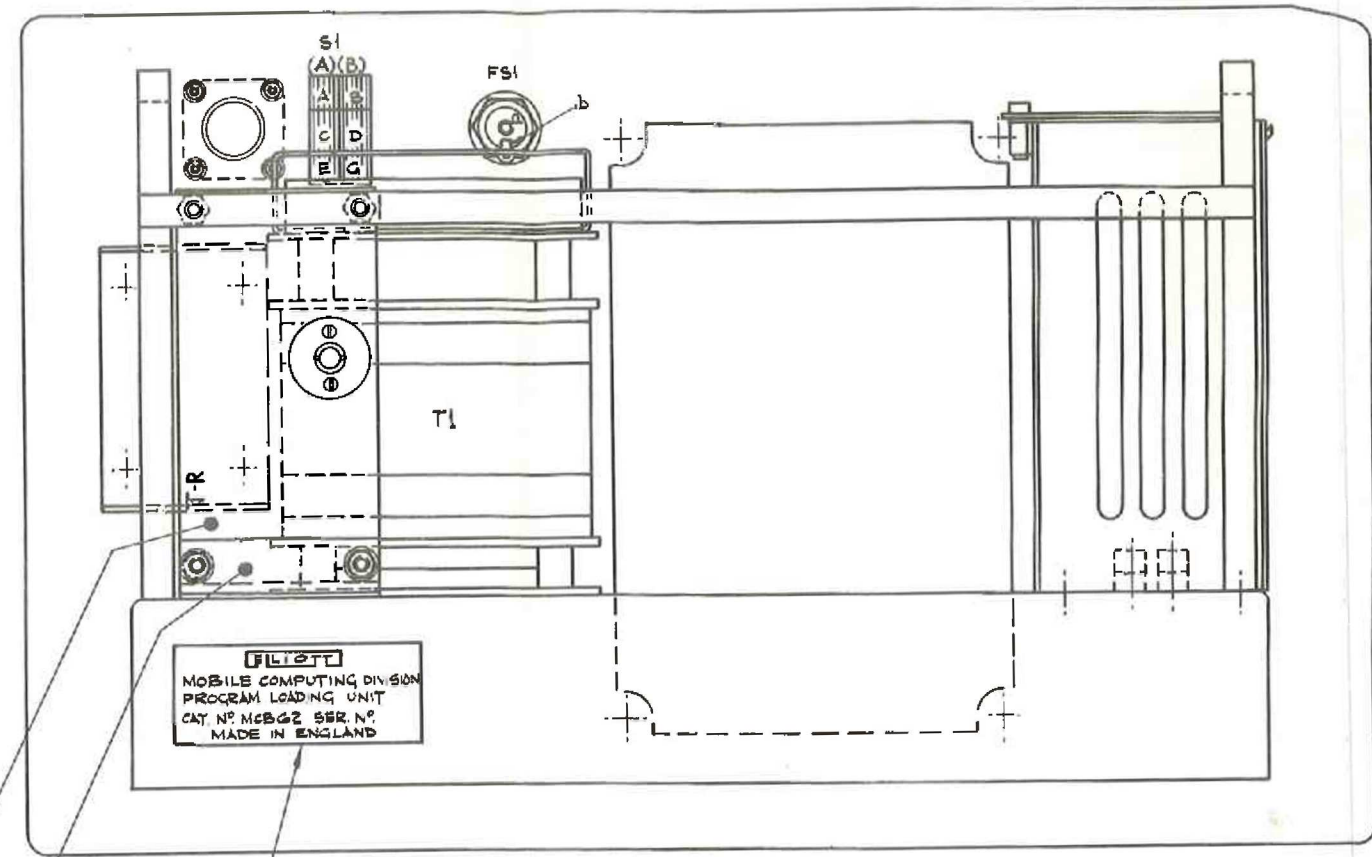
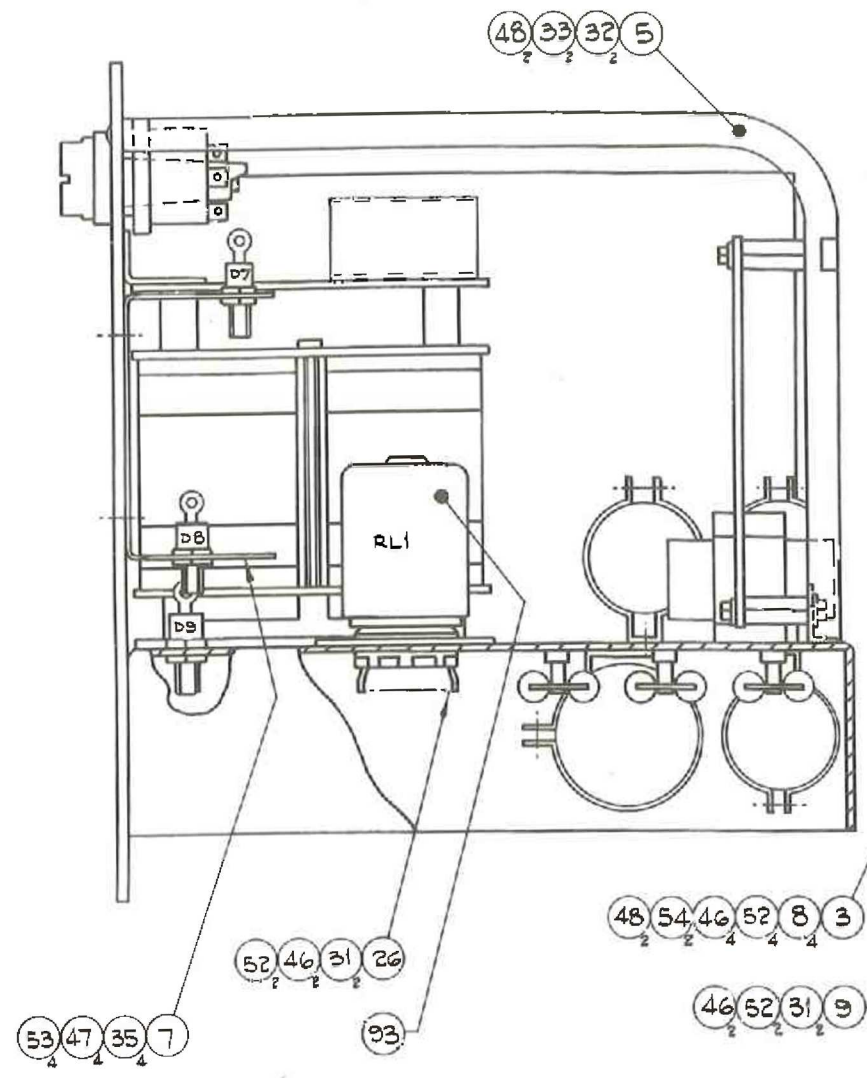


1. COMPONENT LEADS AND WIRES TO BE SOLDERED IN ACCORDANCE WITH 322 PROD 006.
2. COMPONENT REFERENCE NUMBERS AND STAND OFF INSULATOR NUMBERS ETC. TO BE PAINTED ADJACENT TO COMPONENTS AS SHOWN USING BLACK PAINT AND COATED WITH CLEAR VARNISH.
3. CABLES TO LAY AS SHOWN IN DOTTED DETAIL.



IN 2 POSITIONS.
38 40 46 52

61
IN 11 POSITIONS.

58 57 44
IN 2 POSITIONS.

SHT. 1

PROGRAM LOADING UNIT
CHASSIS AND PANEL
ASSEMBLY

C12