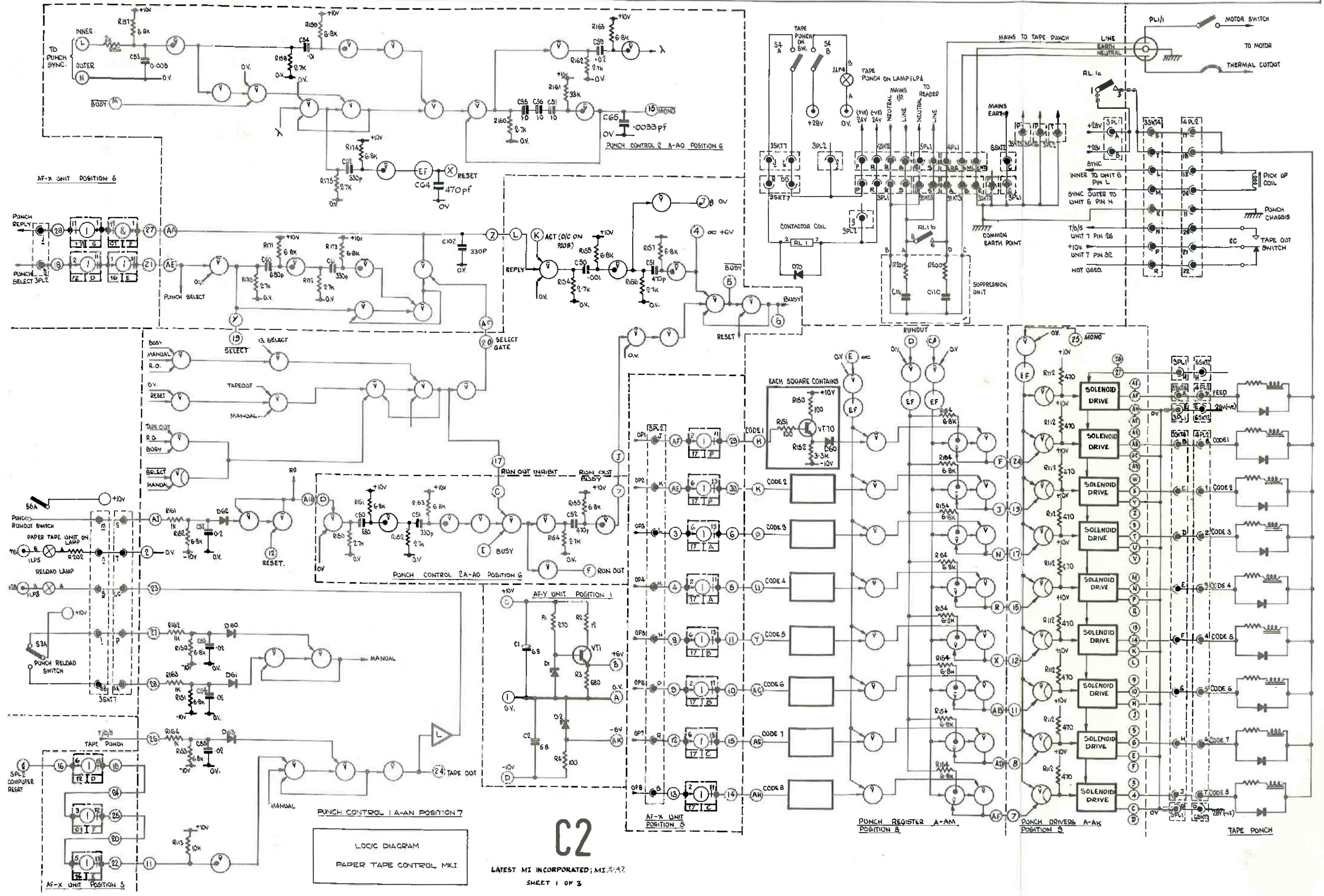


RESISTORS	202, 156, 157, 161, 162, 163, 164, 162, 154, 151, 153, 113, 170, 171, 158, 159, 172, 175, 174, 150, 51, 152, 153, 160, 151, 150, 151, 164, 164, 152, 2, 162, 156, 157, 51, 157,	201, 200, 154,	112
CAPACITORS	55, 54, 55, 52, 60, 54, 61, 62, 50, 51, 102, 1, 2, 55, 56, 57, 52, 50, 59, 51,	111, 110,	
MISC.	S3A, S5A, LP5, LP3, D41, D50, D61, D62, D63, VT70, D1, D2, D60, VT1, D70, S4A, S4B, LP4,		



C2