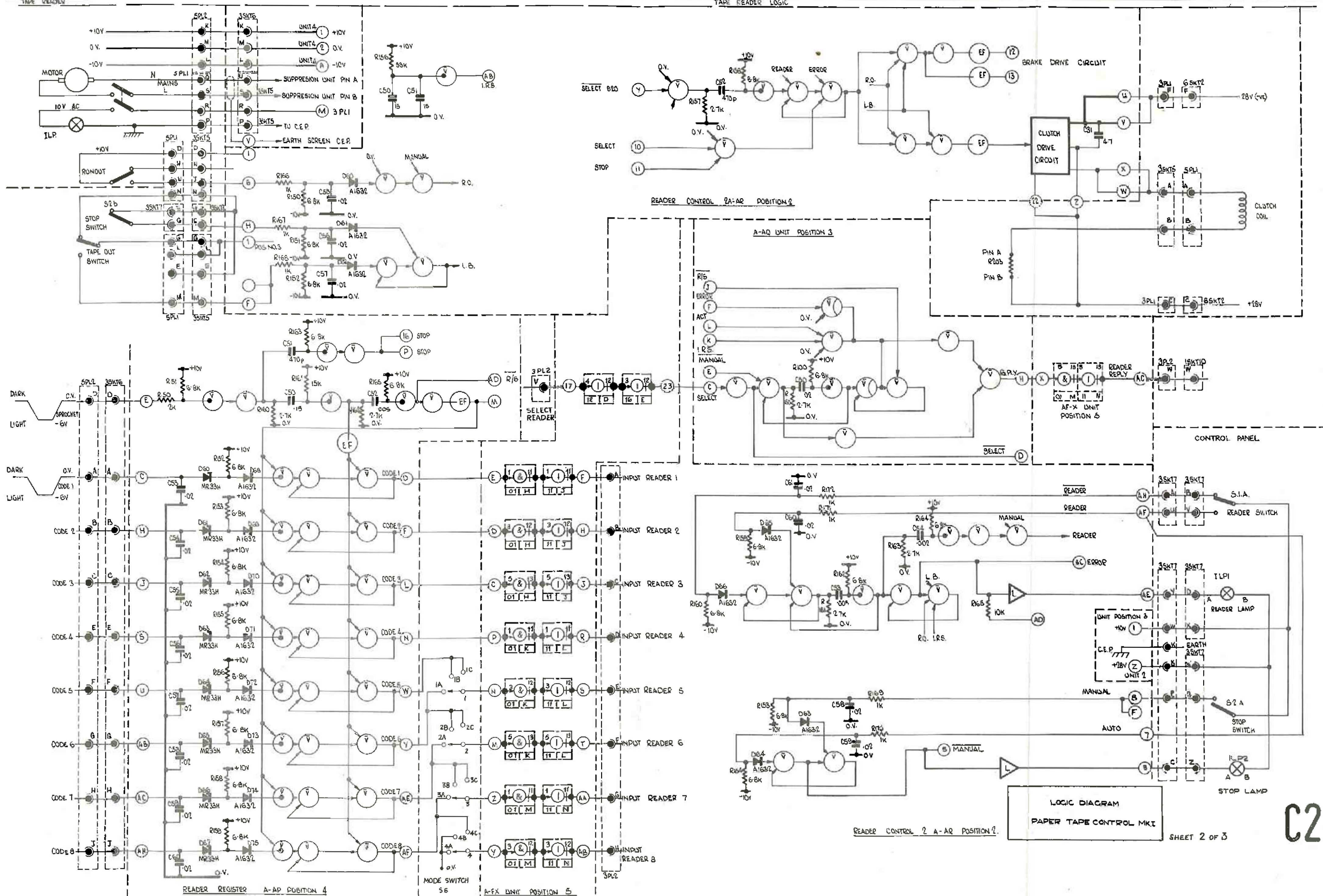


RESISTORS	50, 51, 152, 159, 160, 166, 168, 169, 171, 172, 173, 174, 175, 176, 177, 178, 179, 180, 181, 182, 183, 184, 185, 186	151, 160, 154, 158, 159, 153, 150, 100, 161, 171, 172, 173, 174, 175, 176, 177, 178, 179, 180, 181, 182, 183, 184, 185, 203,
CAPACITORS	55-60, 50 51, 55-57, 52, 50 51,	52, 50, 81, 60, 53, 58, 59, 54, 31,
MISC.	LP, S2b, D60-67, D68-75, D60-62	D66, D64, D65



C2