

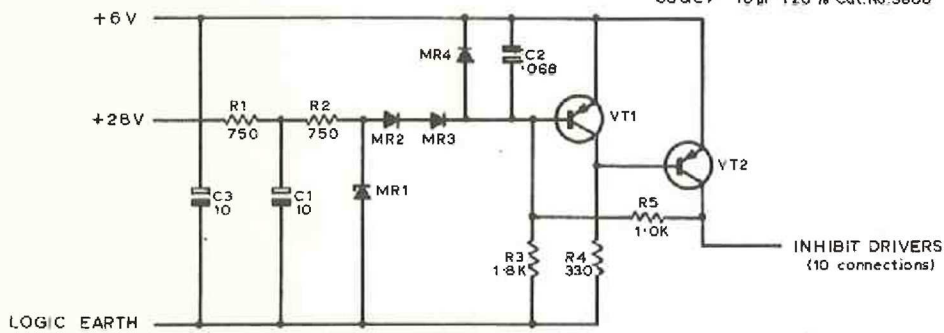
UNDER VOLTAGE PROTECTION CIRCUIT COMPONENT TABLE

R	Value	Tol ± %	Voltage
1,2	750	5	
3	1.8K	5	
4	330	5	
5	1.0K	5	
C			
1	10µF	20	
2	0.068µF	5	
3	10µF	20	
MR		P. S. No.	
1	ZENER DIODE	221	
2 to 4		219	
VT			
1 2		219	

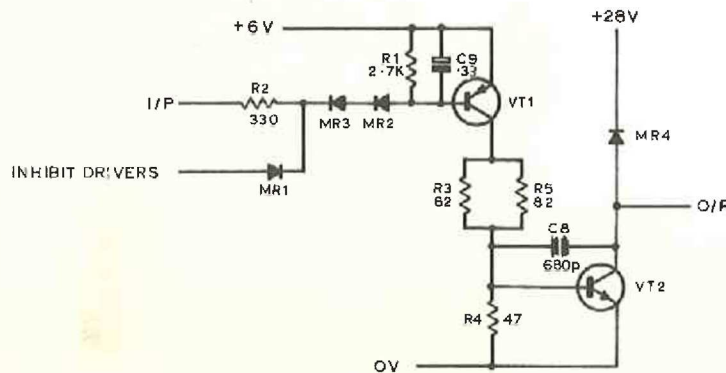
DRIVER CIRCUIT COMPONENT TABLE

R	Value	Tol ± %	Voltage
1	2.7K	5	
2	330	5	
3 5	82	5	
4	47	5	
MR		P. S. No.	
1 to 3		221	
4			
VT			
1		219	
2	AREA A to C E to K	200	
C9	0.33µF	5	
8	680 pF	5	

Decoupling Capacitors
 C4 & C5 10 µF ±20% Cat. No. 9137
 C6 & C7 10 µF +20% Cat. No. 9608



UNDER VOLTAGE PROTECTION CIRCUIT (AREA D)



DRIVER CIRCUIT (AREAS A, B, C, E to M)
 (MR1 absent on circuit in area L)

C25