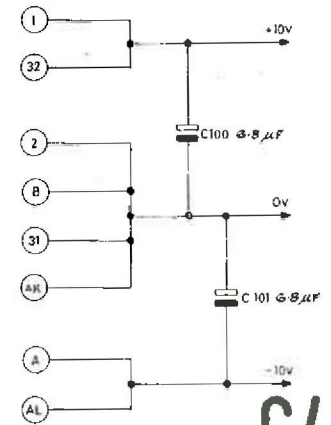
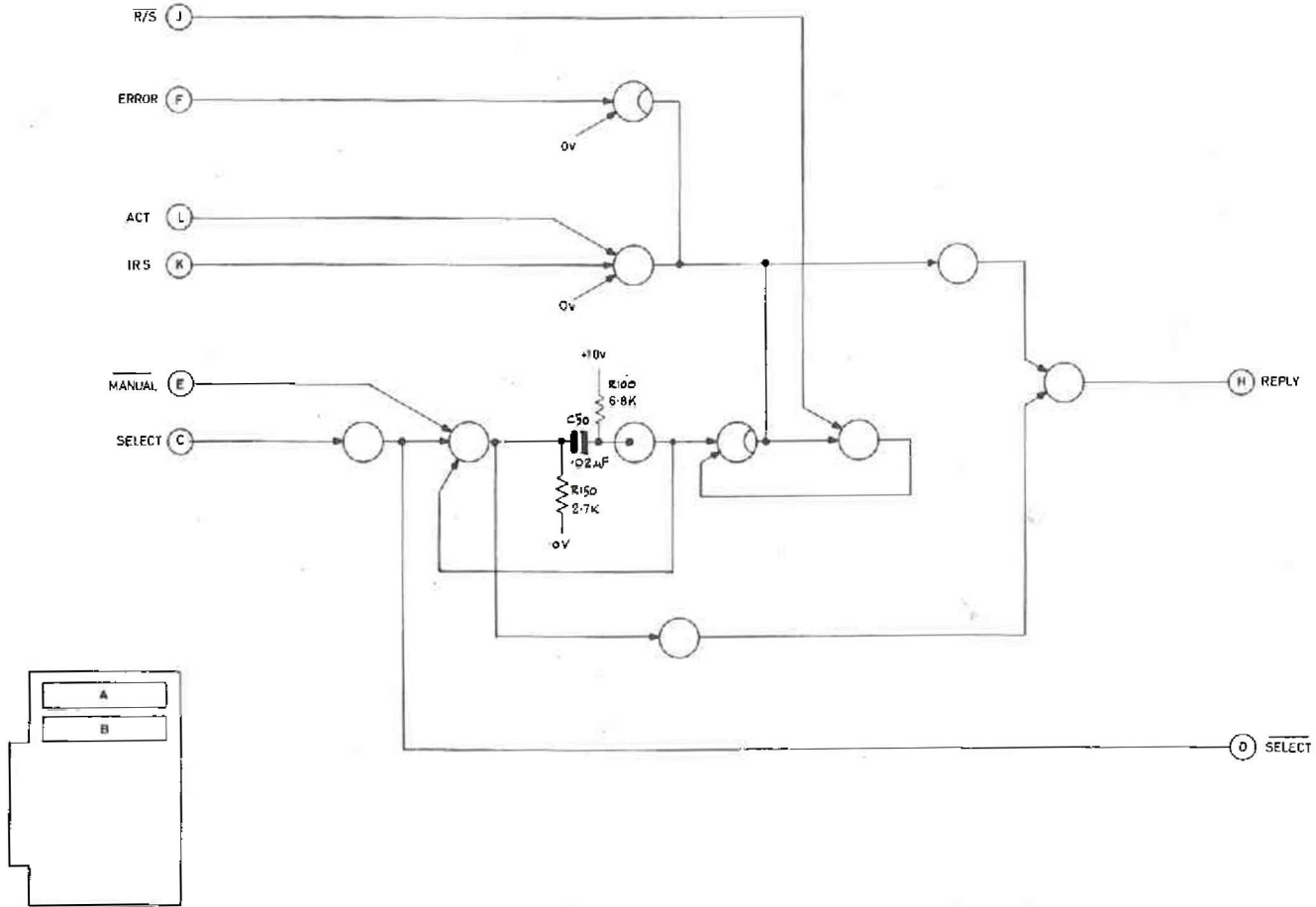


NOTE:
FOR EXPLANATION OF LOGIC SYMBOLS SEE 322D497

SECTIONS A & B



C4