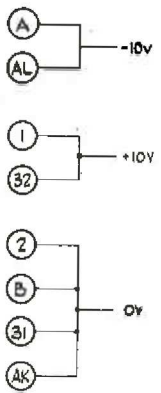
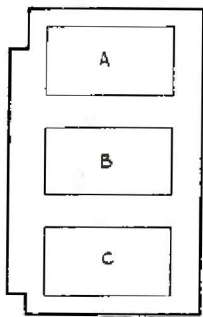
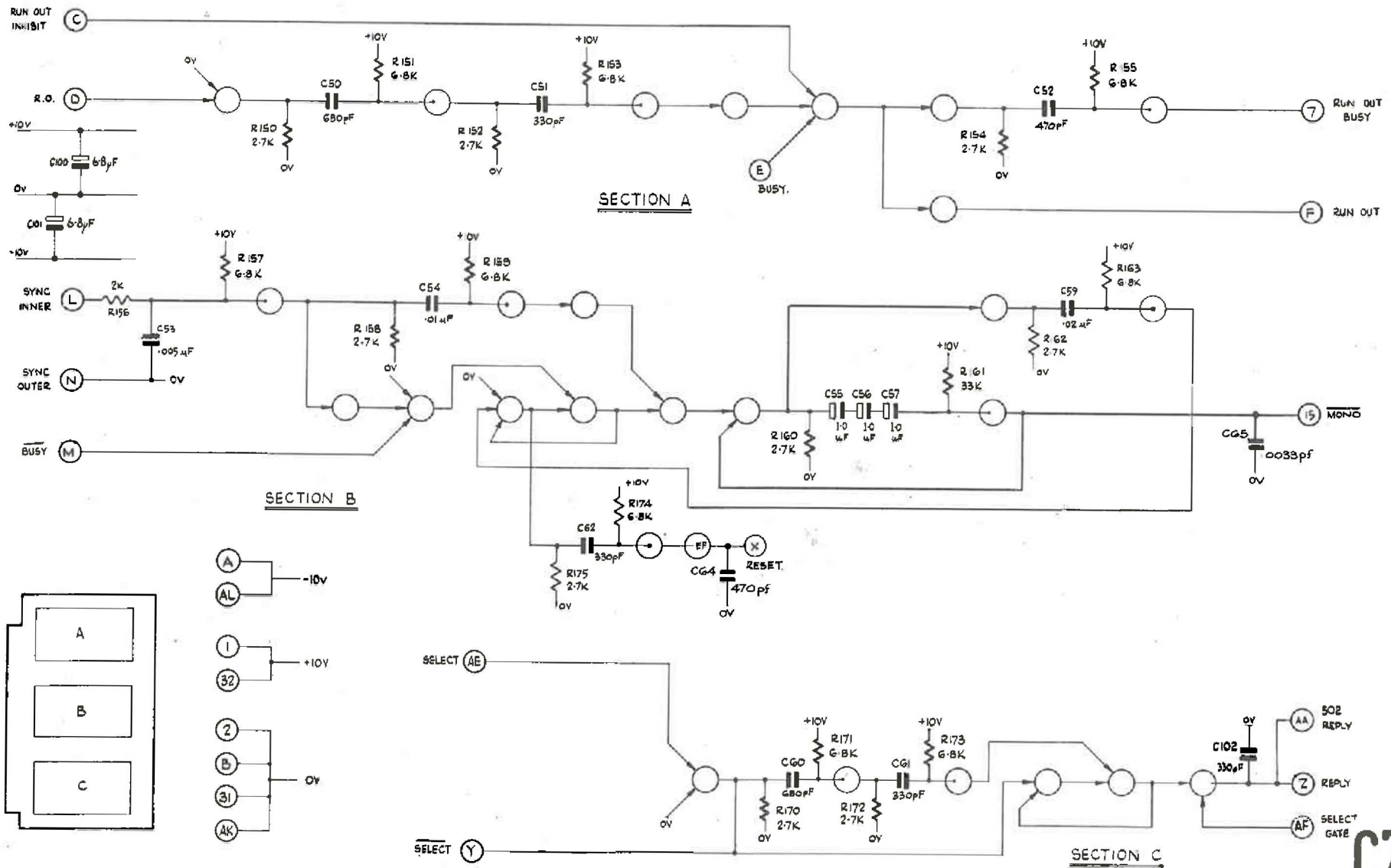


NOTE:-
FOR EXPLANATION OF LOGIC SYMBOLS SEE 322D 4917



Tape Punch Contest 2

A-A03

C7